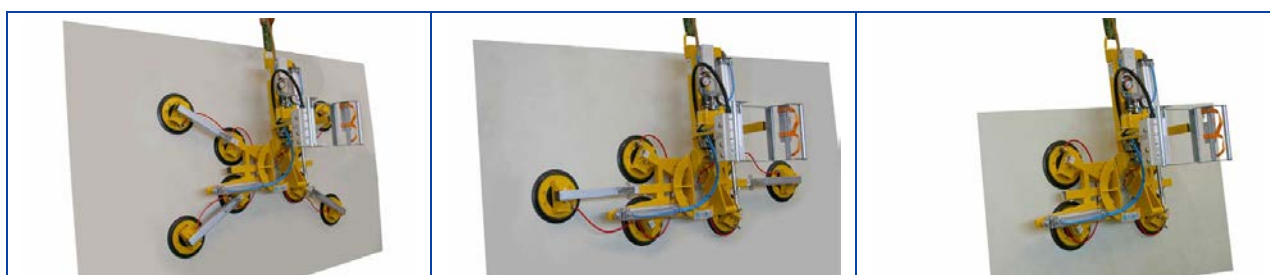
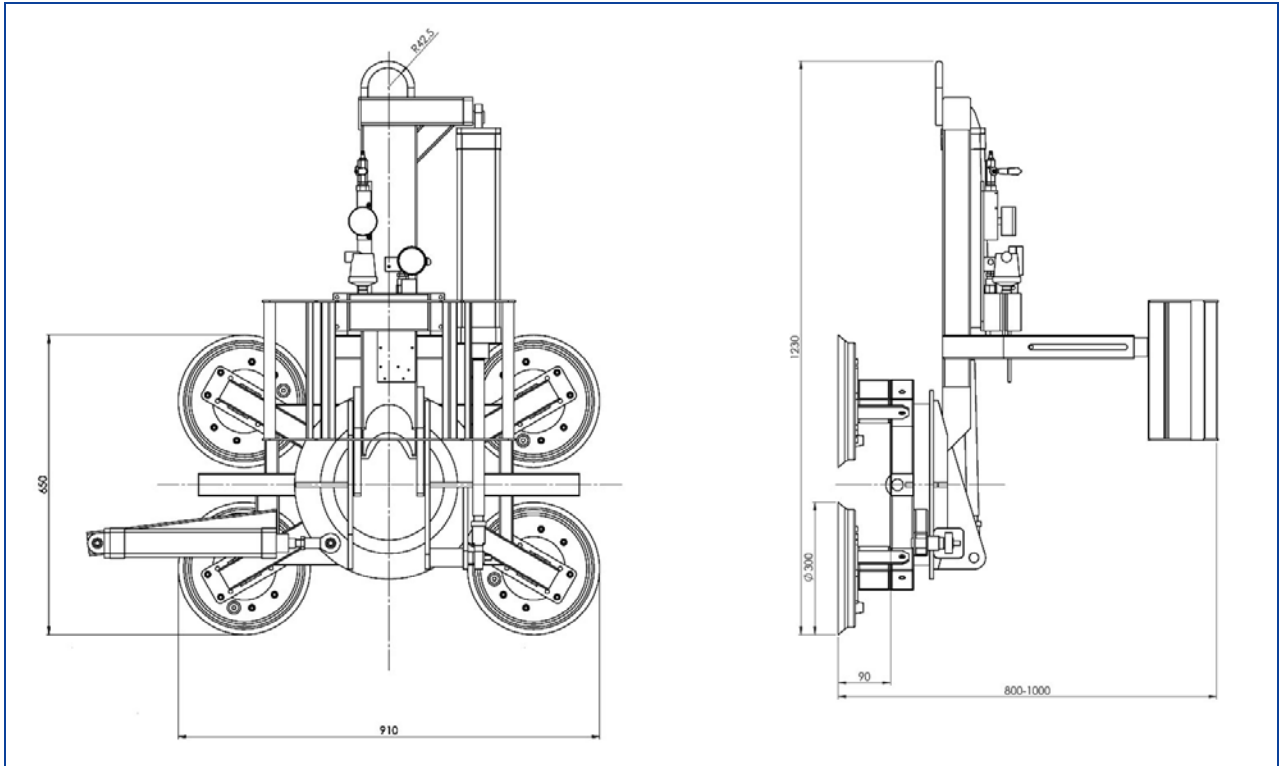


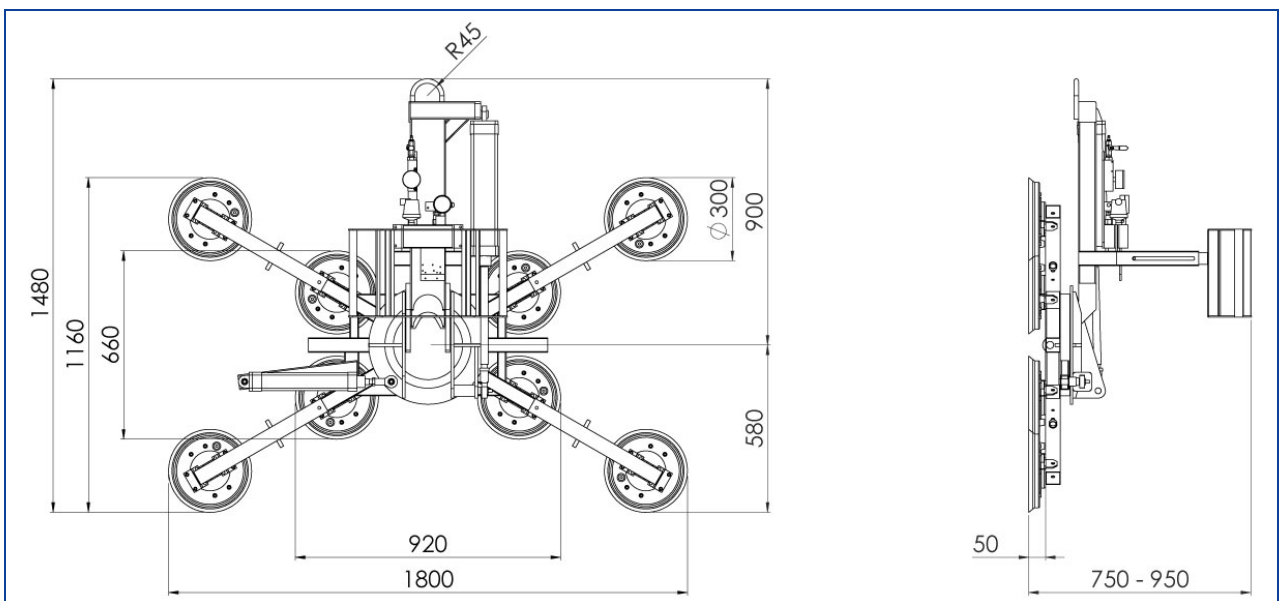
suitable for lifting		
material properties	gas-tight	
surface	smooth	
e. g.	glass panes, sealed units, window and curtain walling elements, plastic and ceramic plates, coated boards	
suction cup type	488-K	388
diameter in action approx. mm	350	300
quality of suction cups	rubber red abrasion possible up to 80° C heat resistant from 3 mm glass thickness	black rubber abrasion possible up to 80° C heat resistant from 4 mm glass thickness
number of suction cups	4	4
safe working load on smooth and clean surface at 60 % vacuum in-company kg	500	350
outer distance of the suction cups approx. mm with 2 extensions approx. mm with 4 extensions approx. mm	970 x 710 2050 x 710 1850 x 1210	920 x 660 2000 x 600 1800 x 1160
dead weight approx. kg		
air pressure connection	9 mm	
Item No.: 7025-MDS4/E...	488	388
Accessories on request		
Item No.: OPT-DLSpar	air pressure saving switching – saves approx. 50% of the air pressure consumption	
Item No.: OPT-SLF	quick-release function – with full pressure supply	
Item No.: OPT-388TR	device equipped with : mark-free suction cups for coated glass	
Item No.: OPT-388K	device equipped with : softer suction cup for thinner glass	
Item No.: 7003-ASH5075	spacer for suction cup holder - 50 mm or 75 mm more distance	
Item No.: 7003-MD4-2	set extensions (lengthwise – 2 pieces)	
Item No.: 7003-MD4-4	set extensions (diagonal – 4 pieces)	



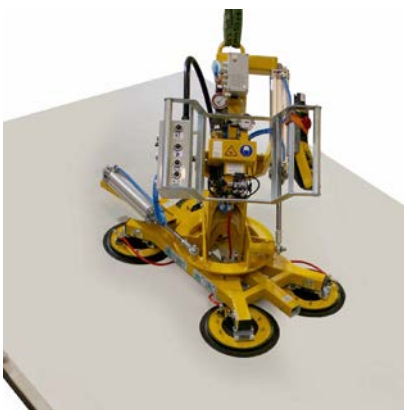
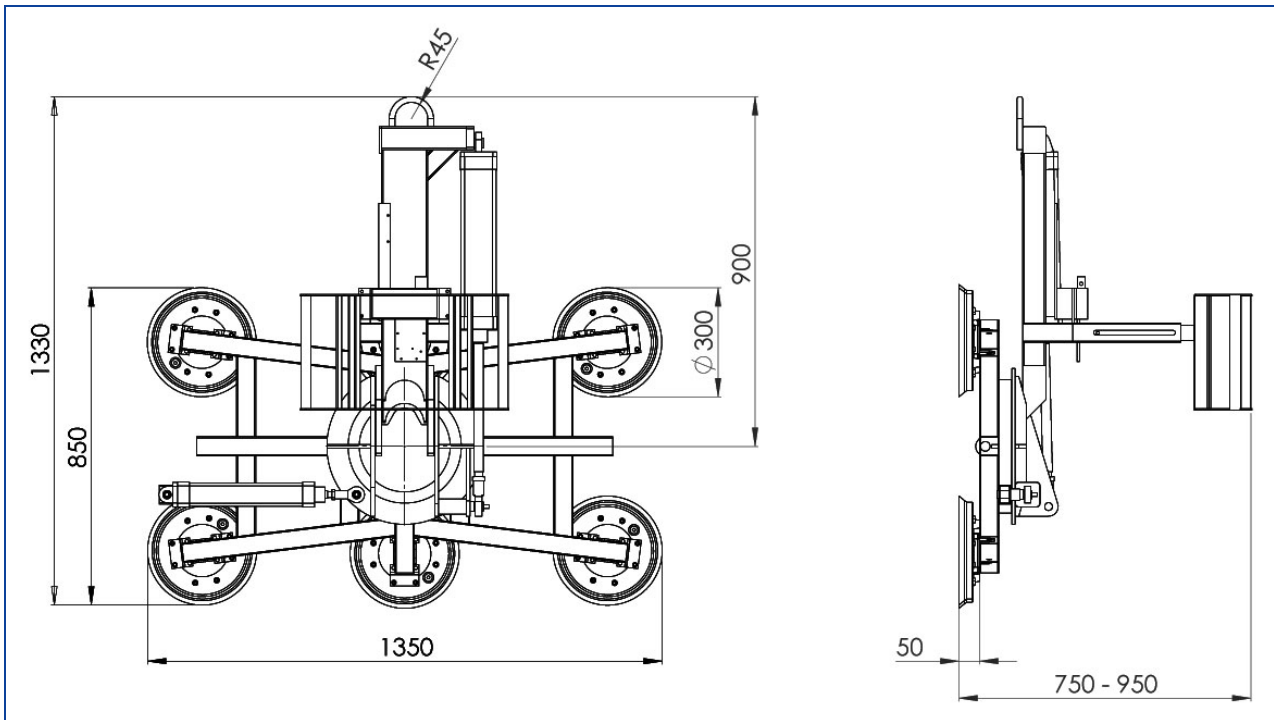
Manipulation Device 7025-MDS4/E with suction cups 388 and spacers



Manipulation Device 7025-MDS4/E with suction cups 388



Manipulation Device 7025-MDS4/E in a custom version



Do you want to learn more?

Use the QR code for the video and you will also learn more about the device.

Or click on the picture.



Do you want to learn more?

Use the QR code to see more operation photos and learn about the device.

Or click on the picture.

The vacuum lifter 7025-MSD4/E in operation in window production.