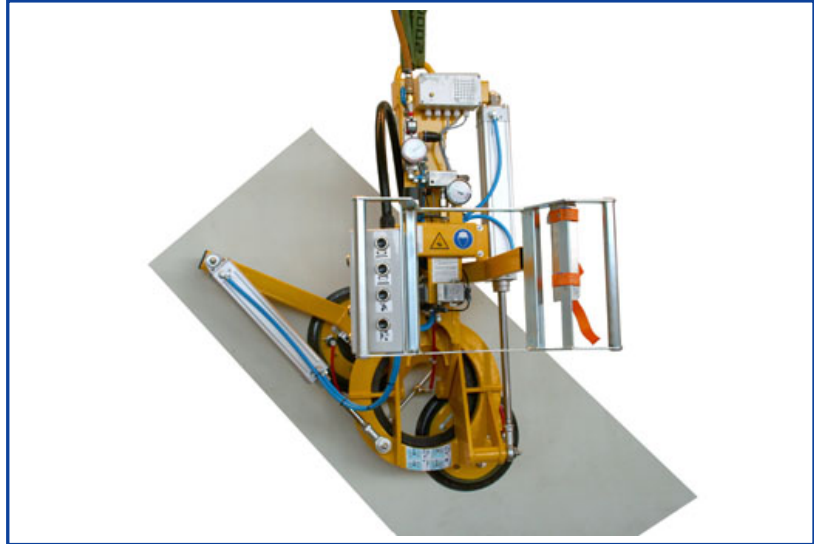


Manipulation Device 7025-MDS2/E

1-circuit vacuum lifting
device according to
EN 13155



	vertical
	horizontal
	turning through 90°
	tilting through 90°

Description

- **1 circuit vacuum system**
- the vacuum circuit has a vacuum tank with non-return valve, vacuum switch and control vacuum meter
- **completely closed vacuum circuit**
prevents loss of vacuum at compressed air failure
- **power failure monitoring system**
- acoustic signal
reports insufficient vacuum/drop in air pressure
- single-row layout of the suction cups
- distance of suction cups can be adjusted
- Suction cup lockable
- stepless turning through 90°
with pneumatic cylinder
- stepless tilting through 90°
with pneumatic cylinder
- length adjustable operating handle
- holder for crane switch

Vacuum generation

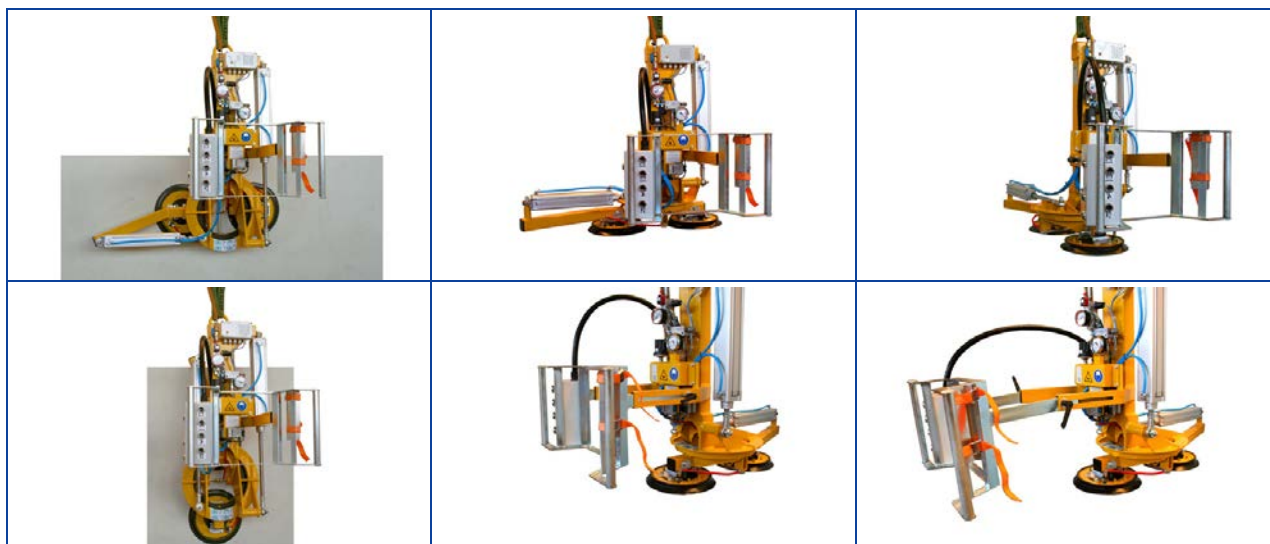
- via built-in suction jet (Venturi)
for operation at least 6 bars compressed air are necessary
- optional air pressure switching
- optional quick-release function

Operation

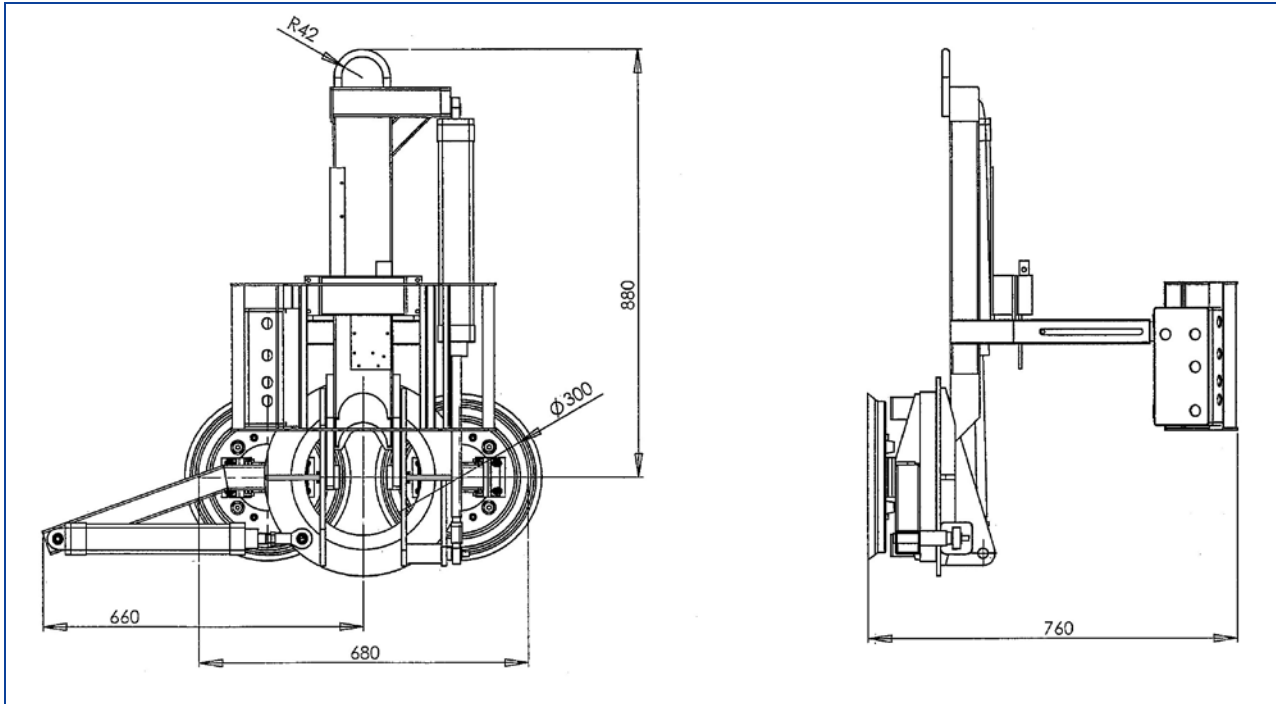
- ON/OFF directly at the device
- SUCTION via a touch valve
- RELEASE via two touch valves
- TURNING via two touch valves
- TILTING via two touch valves

Suspension: crane eye at the carrying frame
Load capacity : **200kg/250kg**
Colour: yellow / partly zinked

suitable for lifting		
material properties	gas-tight	
surface	smooth	
e. g.	glass panes, sealed units, window and curtain walling elements, plastic and ceramic plates, coated boards	
suction cup type	488-K	388
diameter in action approx. mm	350	300
quality of suction cups	rubber red abrasion possible up to 80° C heat resistant from 3 mm glass thickness	black rubber abrasion possible up to 80° C heat resistant from 4 mm glass thickness
number of suction cups	2	2
safe working load on smooth and clean surface at 60 % vacuum in-company kg	250	200
outer distance of the suction cups approx. mm	730 x 350	680 x 300
dead weight approx. kg		
air pressure connection	9 mm	
Item No.: 7025-MDS4-2/E...	488	388
Accessories on request		
Item No.: OPT-DLSpar	air pressure saving switching – saves approx. 50% of the air pressure consumption	
Item No.: OPT-SLF	quick-release function – with full pressure supply	
Item No.: OPT-388TR	device equipped with : mark-free suction cups for coated glass	
Item No.: OPT-388K	device equipped with : softer suction cup for thinner glass	



Manipulation Device 7025-MDS2/E with suction cups 388



Manipulation Device 7025-MDS2/E with suction cups 488-K

