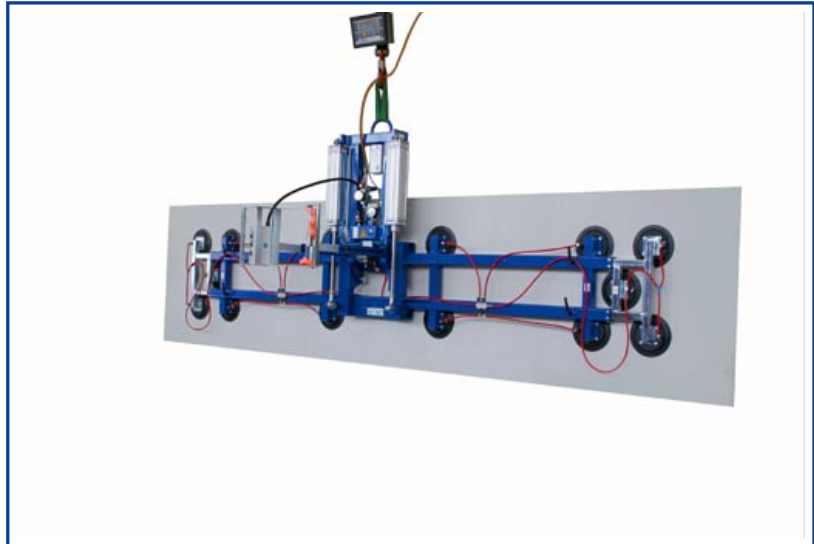


Manipulation Device 7025-C-1000-07/E

**1-circuit vacuum lifting
device according to
EN 13155**



Description

- **1 circuit vacuum system**
- the vacuum circuit has a vacuum tank with non-return valve, vacuum switch and control vacuum meter
- **completely closed vacuum circuit**
prevents loss of vacuum at compressed air failure
- **power failure monitoring system**
- acoustic signal
reports insufficient vacuum/drop in air pressure
- all suction cups lockable individually
- extensible suction frame
- stepless tilting through 90°
with pneumatic cylinder
- length adjustable operating handle
- holder for crane switch

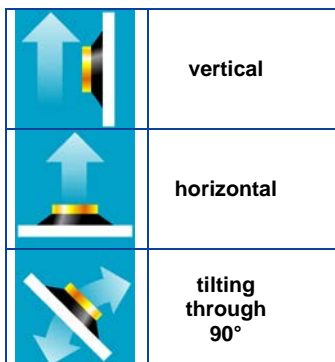
Vacuum generation

- via built-in suction jet (Venturi)
for operation at least 6 bars compressed air are necessary
- optional air pressure switching
- optional quick-release function

Operation

- ON/OFF directly at the device
- SUCTION via a touch valve
- RELEASE via two touch valves
- TILTING via two touch valves

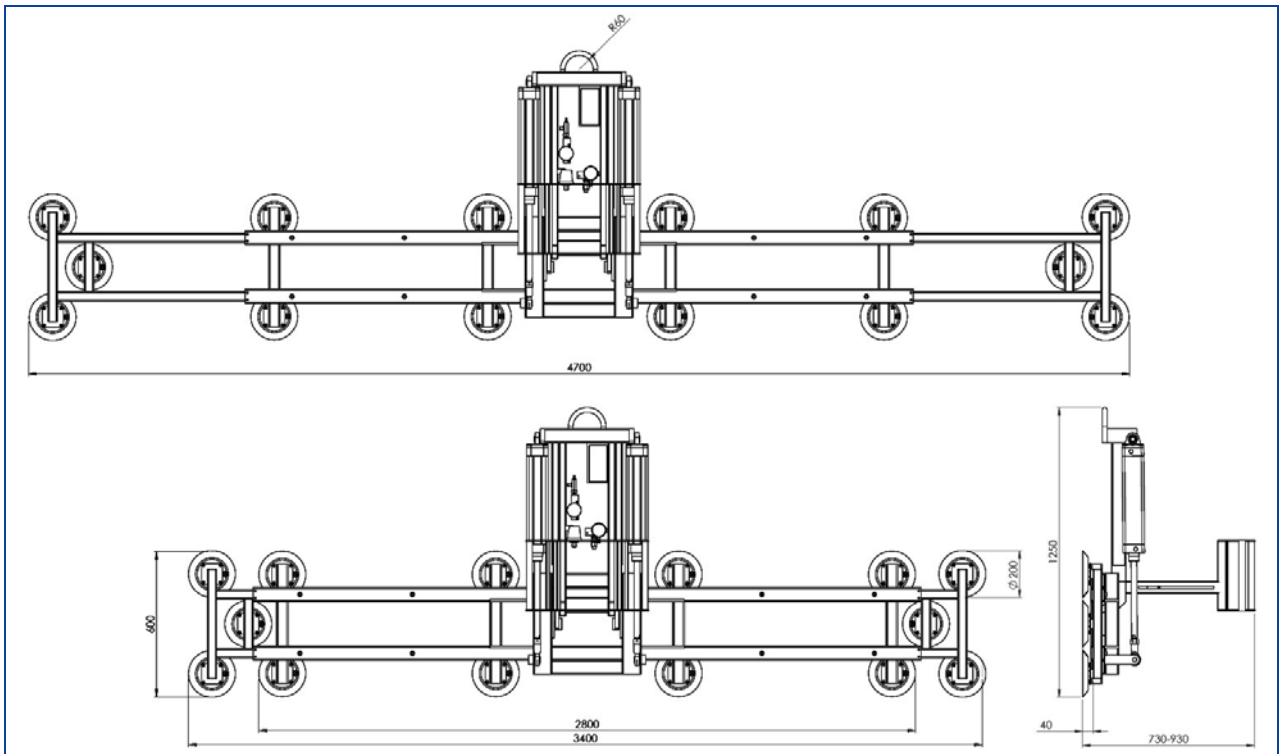
Suspension: crane eye at the carrying frame
Load capacity : up to 800 kg
Colour: yellow / partly zinked



suitable for lifting			
material properties	gas-tight		
surface	smooth		
e. g.	glass panes, sealed units, window and curtain walling elements, plastic and ceramic plates, coated boards		
suction cup type	540		388
diameter in action approx. mm	200		300
quality of suction cups	black rubber abrasion possible up to 80° C heat resistant from 3 mm glass thickness		black rubber abrasion possible up to 80° C heat resistant from 4 mm glass thickness
number of suction cups	16	14	18
safe working load on smooth and clean surface at 60 % vacuum			
in-company kg	500	400	800
dead weight approx. kg			
air pressure connection	9 mm		
Item No.: 7025-C-1000-07/E...	16-5	14-5	18-3
Accessories on request			
Item No.: OPT-DLSpar	air pressure saving switching – saves approx. 50% of the air pressure consumption		
Item No.: OPT-SLF	quick-release function – with full pressure supply		
Item No.: OPT-388TR	device equipped with : mark-free suction cups for coated glass		
Item No.: OPT-388K	device equipped with : softer suction cup for thinner glass		



Manipulation Device 7025-C-1000-07/E with 14 suction cups 540



Manipulation Device 7025-C-1000-07/E with 16 suction cups 540

