

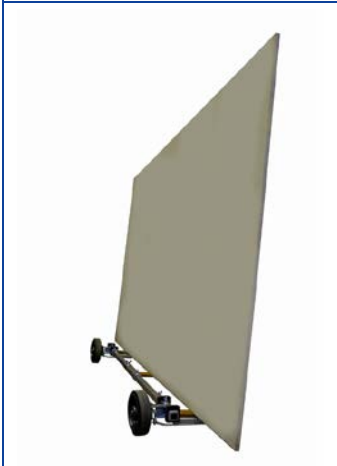
## Plate Glass Carriage 496-120-2 / 496-090-2

The perfect device for construction sites

### Main features:

- For any glass size between 170 and 600 cm, including insulated glass and window panes and lites
- Extendable lengthwise / telescopically retractable
- Dismountable into very small parts for transport
- Ideally suited for **heavy** and **wide (deep)** elements, but also for **large** and **small** elements
- Very versatile and adaptable





#### Description:

- Adjustable between 165 and 565 cm
- Dismountable into very small parts for transport
- Two carriers that can be steered independently from each other and feature elevated guiding bars
- Dismountable guiding bars
- Smooth running and excellent manoeuvrability (steering angle of up to 45°)
- 4 solid rubber tires with ball bearings  
250 mm diameter - approx. tire width of 50 mm - readily exchangeable  
ground clearance: approx. 50 mm  
support surface: approx. 110 mm above ground level
- Load capacity : 750 kg (maximum load-bearing capacity of 1000 kg)
- 2 removable support bars: approx. 195 cm tall
- 3° tilt angle, ensuring that the load being transported will be stable on horizontal surfaces even without retaining suction cups
- Contact surface lined with sponge rubber to ensure that the glass being transported will not be damaged
- Glass support on each carrier made of Vulkollan:  
approx. 100 mm long / approx. 120 mm wide (also available in widths of 90 mm)
- Weight per carrier: approx. 34 kg  
Total weight: approx. 91 kg (with extension set, approx. 108 kg)
- All metal parts are galvanized
- 2 tensioning belts for the retaining suction cups

#### Item-no.:

**496-120-2 with approx. 120 mm support width (standard)**

**496-090-2 with approx. 90 mm support width (custom manufacture)**

Required accessories:

#### Retaining suction cups:

2 units are required (not included in scope of supply)

However, any hand-held suction cups can be used. Can be attached rapidly to the suction cup by means of a tensioning belt, and can then be used without any problem as hand-held vacuum suction grips for subsequent operations.

We recommend using our **284-KU** vacuum suction grips for this application  
These vacuum suction grips can also be used as additional grippers when moving the steering roller.

#### Options:

Special tires: 350 mm (steering angle of up to 30°)  
ground clearance: approx. 100 mm - support surface: approx. 160 mm above ground level

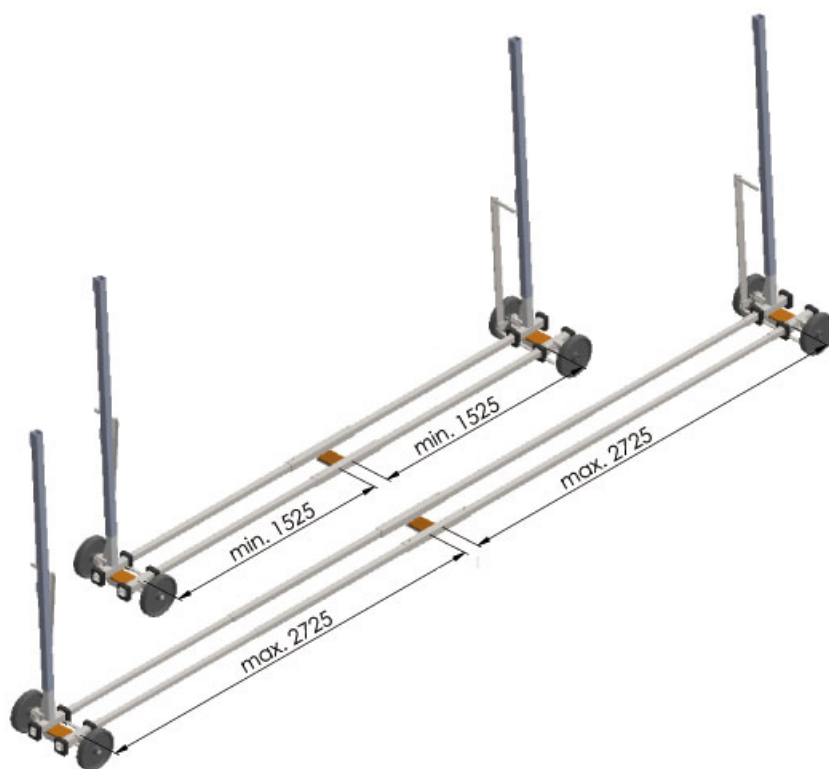
Special tires: 300 mm  
ground clearance: approx. 75 mm - support surface: approx. 135 mm above ground level

Special tires: 200 mm  
ground clearance: approx. 25 mm - support surface: approx. 85 mm above ground level

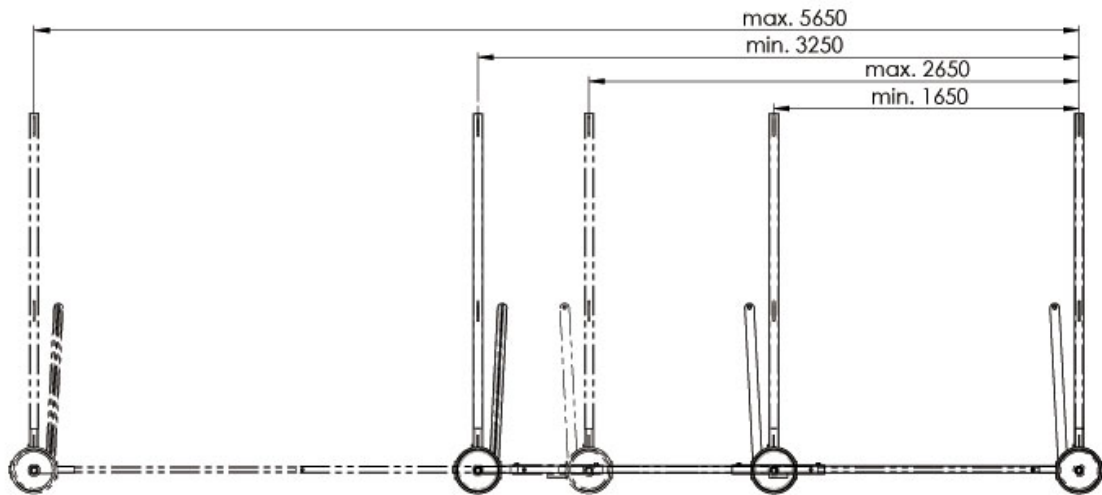
Special tires: 160 mm  
ground clearance: approx. 5 mm - support surface: approx. 65 mm above ground level

Special support bars and special spacer bars available upon request

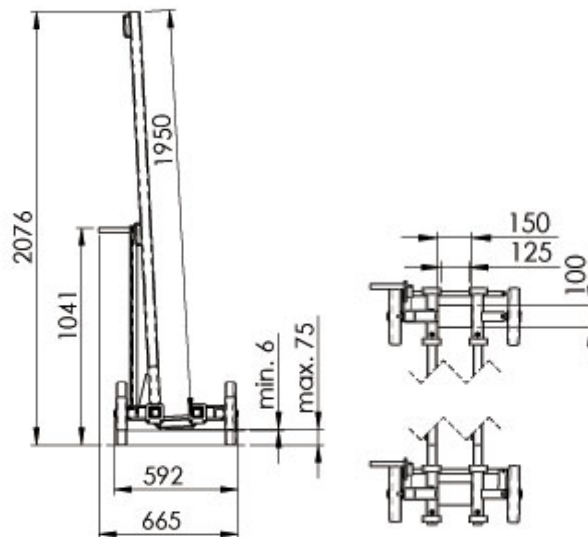
## plate glass carriage 496-120-2 in its various expansion stages



## the different lengths of plate glass carriage 496-120-2



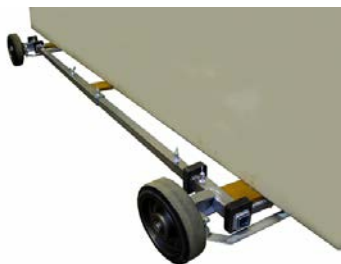
## the other dimensions of plate glass carriage 496-120-2



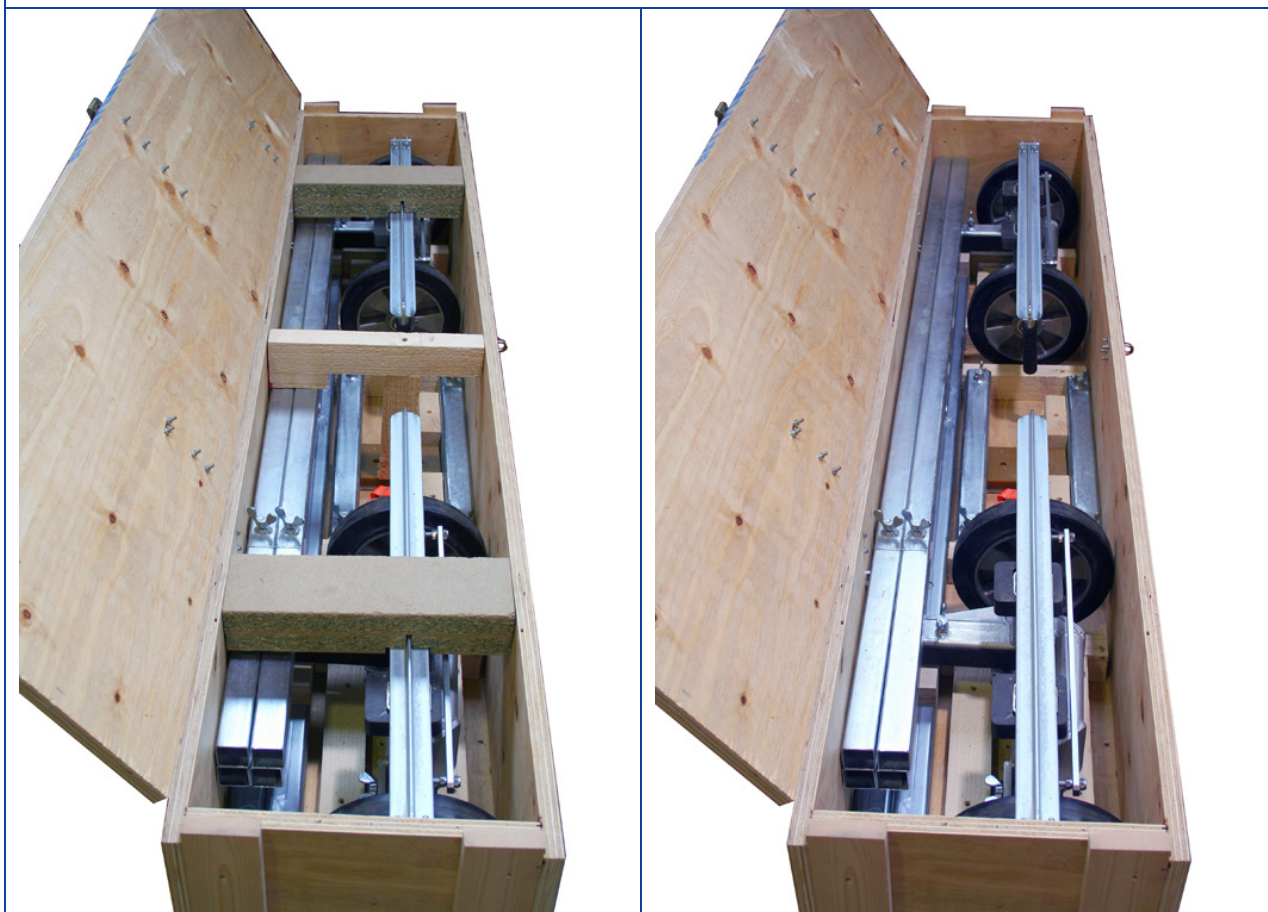
chassis unit with steel plate

for transport purposes

steering linkage



## plate glass carriage 496-120-2 in the carrier box



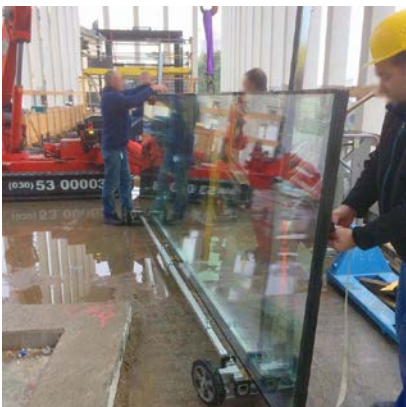




**Do you want to learn more?**

**Use the QR code for the video and you will also learn more about the device.**

**Or click on the picture.**



**Do you want to learn more?**

**Use the QR code to see photos and learn more about the device.**

**Or click on the picture.**

**See the plate glass carriage 496-090-2 in operation.**